

Technical data sheet

Flat angle, trunking type WDK 100230

Item number: 6182713



Flat angle for changing the direction of the WDK trunking.



PVC Polyvinylchloride

Master data

| | |
|---------------------|----------------------|
| Item number | 6182713 |
| Type | WDK F100230RW |
| Description 1 | Flat angle |
| Manufacturer | OBO |
| Dimension | 400x230x100 |
| Colour | Pure white; RAL 9010 |
| Material | Polyvinylchloride |
| Smallest sales unit | 1 |
| Unit of quantity | Piece |
| Weight | 188.5 kg |
| Weight unit | kg/100 pc. |

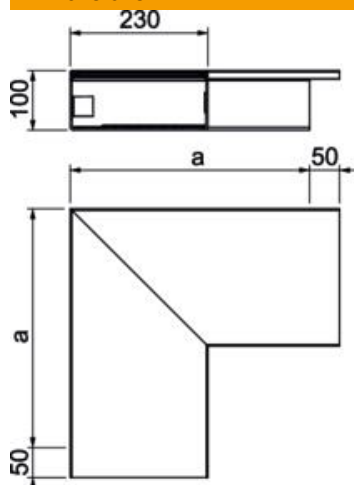
Technical data sheet

Flat angle, trunking type WDK 100230

Item number: 6182713



Dimensions



| | |
|-------------|--------|
| Length | 400 mm |
| Width | 230 mm |
| Height | 100 mm |
| Dimension a | 400 mm |

Technical data

| | |
|-----------------------------------|------------------|
| Version for | Base and cover |
| Fastening type | Base perforation |
| Maintain electrical functions | no |
| for duct dimension | 100 x 230 |
| Halogen-free | no |
| Trunking depth | 100 mm |
| Protection rating | IP30 |
| Protective film | no |
| Protection rating IK code | IK04 |
| Permitted temperature range, max. | 60 °C |
| Permitted temperature range, min. | -5 °C |
| Angle range, max. | 90 mm |
| Angle range, min. | 90 mm |