

Technical data sheet

Height extension kit for underfloor box 202 x 245

Item number: 7404396



Screed protection cover elevation for raising the UDS or a screed protection cover for installation openings of nominal size 6. Elevation by 40 mm.



PS Polystyrene

Master data

Item number	7404396
Type	SKE 202X254
Description 1	Height extension
Description 2	6, + 40 mm increase
Manufacturer	OBO
Dimension	280x228x50
Colour	verkehrsrot; RAL 3020
Material	Polystyrene
Smallest sales unit	1
Unit of quantity	Piece
Weight	17 kg
Weight unit	kg/100 pc.

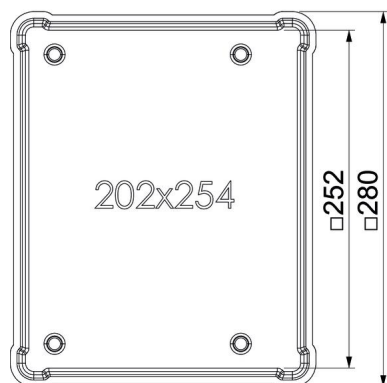
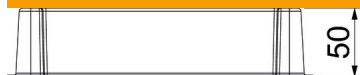
Technical data sheet

Height extension kit for underfloor box 202 x 245

Item number: 7404396



Dimensions



Length	254 mm
Width	202 mm
Height	50 mm
Dimension A	202 mm

Technical data

Shape	Rectangular
Nominal size for device installation units	6