

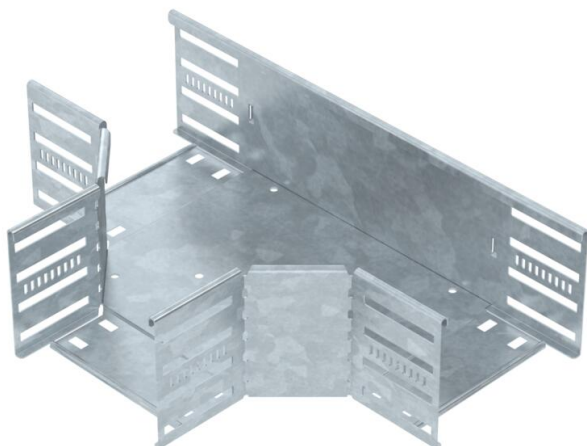
Technical data sheet

T piece 110 FT

Item number: 6038322



T piece for the creation of a horizontal branch, fitting for lock and screw-on cable trays of side height 110 mm. Screwless mounting with double clamps or screw connection with FRS truss-head screws and M6 combination nuts. Can be used indoors and outdoors. Fastening material must be ordered separately.



St Steel

FT Hot-dip galvanised

Master data

Item number	6038322
Type	RT 115 FT
Description 1	T piece
Description 2	for cable tray, horizontal
Manufacturer	OBO
Dimension	110x150
Material	Steel
Surface	Hot-dip galvanised
Surface standard	DIN EN ISO 1461
Smallest sales unit	1
Unit of quantity	Piece
Weight	143.2 kg
Weight unit	kg/100 pc.

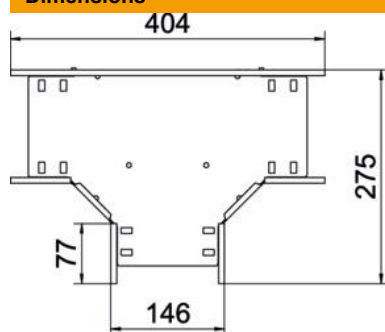
Technical data sheet

T piece 110 FT

Item number: 6038322



Dimensions



Width	150 mm
Height	110 mm
Plate thickness	0.8 mm
Dimension B	150 mm

Technical data

Connector version	Integrated connector
Maintain electrical functions	no
NATO hole pattern	no
Rustproof steel, pickled	no
Permitted temperature range, max.	120 °C
Permitted temperature range, min.	-20 °C
Wide-span version	no
Type of connector, cable support system	screwed/clamped
Recommended quantity of bolts	27 St.
Rail thickness	1.25 mm