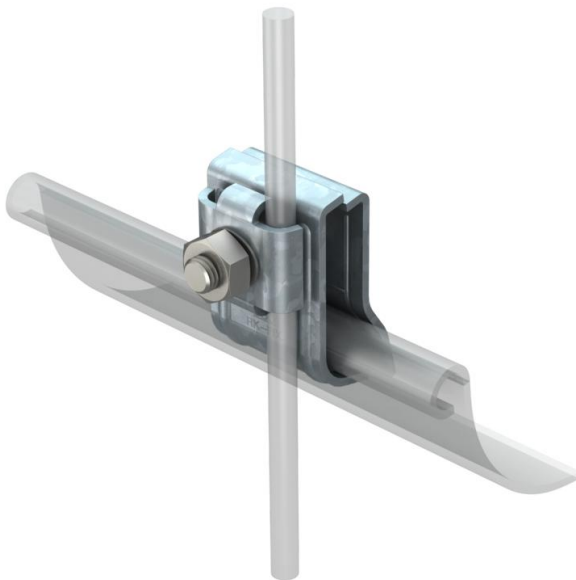


# Technical data sheet

## Gutter clamp RK-FIX FT

Item number: 5316450



- For up to 2 round conductors Rd 6 or Rd 8
- Suitable for all bead thicknesses (15–25 mm)
- With 1 truss-head bolt M10 x 45
- With spring for prefixing on rain gutter
- Clamp body and crossbar made of hot-dip galvanised steel
- Nut, bolt and spring made of stainless steel (V2A)
- Tested to VDE 0185-561-1 (IEC/EN 62561-1)

<b>St</b>	Steel
<b>FT</b>	Hot-dip galvanised

### Master data

Item number	5316450
Type	RK-FIX
Description 1	Gutter clamp with spring
Manufacturer	OBO
Dimension	2x8mm
Material	Steel
Surface	Hot-dip galvanised
Surface standard	DIN EN ISO 1461
Smallest sales unit	25
Unit of quantity	Piece
Weight	19.1 kg
Weight unit	kg/100 pc.

### Technical data

Type of fastening screw	Hexagonal bolt
Type of connector	Roof gutter clamp
Lightning current carrying capacity	H/100 kA
Fit	2 x Rd 8 mm
Clamping range, max.	25 mm
Clamping range, min.	15 mm