

Technical data sheet

Rauduo GT40105 device support, single

Item number: 6132174



Device support for the Rauduo skirting trunking system for the installation of devices in support clamp form (according to DIN 49075).
For snapping onto the cover of the trunking system. Not equipped.



PVC Polyvinylchloride

Master data

Item number	6132174
Type	RD GT40105 cws
Description 1	Mounting box
Description 2	RAUDUO empty 40x105 9001
Manufacturer	OBO
Colour	Cream; RAL 9001
Material	Polyvinylchloride
Smallest sales unit	1
Unit of quantity	Piece
Weight	21 kg
Weight unit	kg/100 pc.

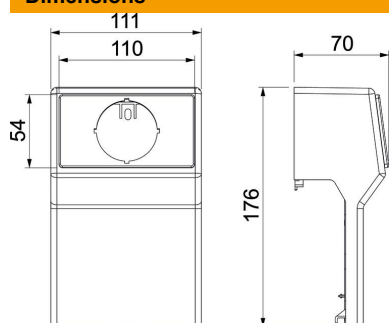
Technical data sheet

Rauduo GT40105 device support, single

Item number: 6132174



Dimensions



Length	62 mm
Width	112 mm
Height	175 mm

Technical data

Number of units	0
Equipment	Without
Decoration	Without
Halogen-free	no
Accessory mounting type	With central plate