

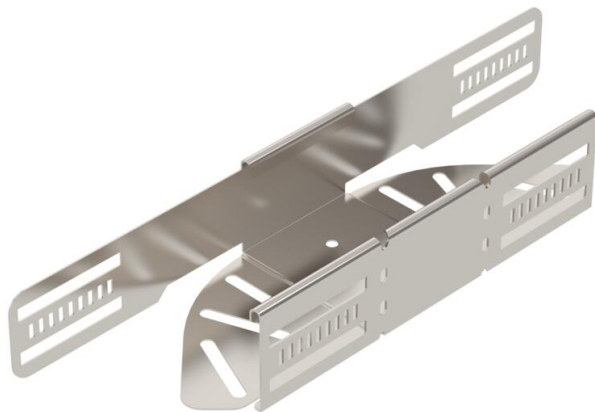
Technical data sheet

Bend, angle-adjustable, 60 A2

Item number: 6037150



Angle-adjustable bend for the creation of a horizontal branch, fitting for lock and screw-on cable trays of side height 60 mm. Adjustable angle 0–90°. Screwless mounting with double clamps or screw connection with FRS truss-head screws and M6 combination nuts. Can be used indoors and outdoors. Fastening material must be ordered separately.



A2 Stainless steel

2B Bright, treated

Master data

| | |
|---------------------|-----------------|
| Item number | 6037150 |
| Type | RB W 610 A2 |
| Description 1 | Adjustable bend |
| Description 2 | horizontal |
| Manufacturer | OBO |
| Dimension | 60x100 |
| Material | Stainless steel |
| Surface | Bright, treated |
| Surface standard | |
| Smallest sales unit | 1 |
| Unit of quantity | Piece |
| Weight | 40.8 kg |
| Weight unit | kg/100 pc. |

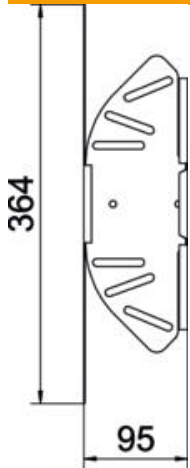
Technical data sheet

Bend, angle-adjustable, 60 A2

Item number: 6037150



Dimensions



| | |
|-----------------|--------|
| Width | 100 mm |
| Height | 60 mm |
| Plate thickness | 1 mm |
| Dimension B | 100 mm |
| Dimension L | 364 mm |
| Dimension R | 50 mm |

Technical data

| | |
|---|--------------------------|
| Bend (angle) | Adjustable |
| Connector version | Integrated connector |
| Type | Adjustable bend_complete |
| Maintain electrical functions | no |
| Material thickness, floor plate | 1 mm |
| With cover | no |
| Mounting perforation in base | yes |
| NATO hole pattern | no |
| Change of direction | Horizontal |
| Rustproof steel, pickled | no |
| Side perforation | yes |
| Permitted temperature range, max. | 120 °C |
| Permitted temperature range, min. | -20 °C |
| Wide-span version | no |
| Type of connector, cable support system | screwed/clamped |
| Recommended quantity of bolts | 10 St. |
| Rail thickness | 1.25 mm |