

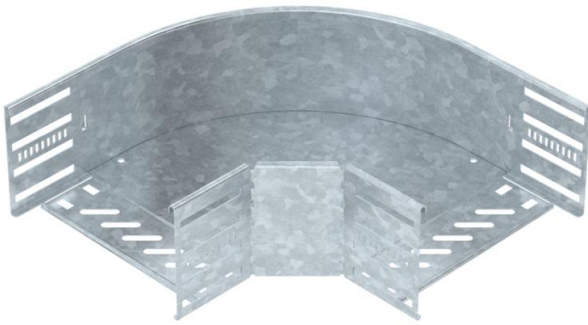
Technical data sheet

90° bend 110 FT

Item number: 6036834



90° bend for the creation of a horizontal branch, fitting for lock and screw-on cable trays of side height 110 mm. Screwless mounting with double clamps or screw connection with FRS truss-head screws and M6 combination nuts. Can be used indoors and outdoors. Fastening material must be ordered separately.



St Steel

FT Hot-dip galvanised

Master data

| | |
|---------------------|----------------------------|
| Item number | 6036834 |
| Type | RB 90 120 FT |
| Description 1 | 90° bend |
| Description 2 | for cable tray, horizontal |
| Manufacturer | OBO |
| Dimension | 110x200 |
| Material | Steel |
| Surface | Hot-dip galvanised |
| Surface standard | DIN EN ISO 1461 |
| Smallest sales unit | 1 |
| Unit of quantity | Piece |
| Weight | 140.5 kg |
| Weight unit | kg/100 pc. |

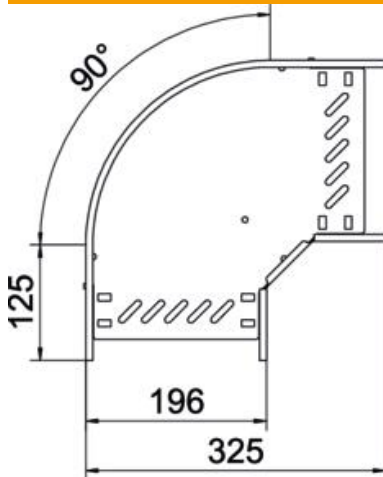
Technical data sheet

90° bend 110 FT

Item number: 6036834



Dimensions



| | |
|-----------------|--------|
| Width | 200 mm |
| Height | 110 mm |
| Plate thickness | 0.8 mm |
| Dimension B | 200 mm |
| Dimension R | 50 mm |

Technical data

| | |
|---|----------------------|
| Bend (angle) | 90° |
| Connector version | Integrated connector |
| Type | Bend, rigid |
| Maintain electrical functions | no |
| Material thickness, floor plate | 0.8 mm |
| With cover | no |
| Mounting perforation in base | yes |
| NATO hole pattern | no |
| Change of direction | Horizontal |
| Rustproof steel, pickled | no |
| Side perforation | yes |
| Permitted temperature range, max. | 120 °C |
| Permitted temperature range, min. | -20 °C |
| Wide-span version | no |
| Type of connector, cable support system | screwed/clamped |
| Recommended quantity of bolts | 20 St. |
| Rail thickness | 1.25 mm |