

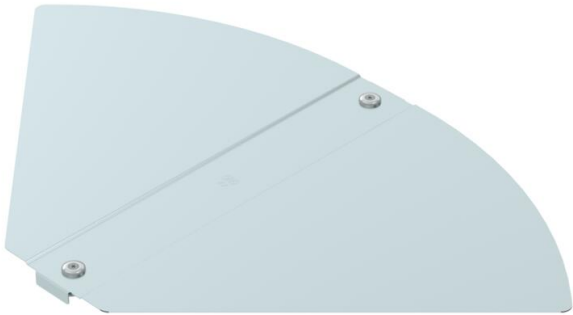
# Technical data sheet

## Cover, angle-adjustable bend DD

Item number: 6037548



Cover for angle-adjustable bend fitting for lockable and screw-on cable trays in indoor and outdoor areas, to protect cables against damage and soiling. Fastening with pre-mounted sash locks and through attachment of the section cover. Suitable for all side heights.



**St** Steel

**DD** Strip galvanised zinc/aluminium, Double Dip

### Master data

|                     |   |
|---------------------|---|
| Item number         | 6037548                                     |
| Type                | RBD W 400 DD                                |
| Description 1       | Cover                                       |
| Description 2       | for bend, adjustable                        |
| Manufacturer        | OBO   |
| Dimension           | B100mm                                      |
| Material            | Steel                                       |
| Surface             | Strip galvanised zinc/aluminium, Double Dip |
| Surface standard    | DIN EN 10346                                |
| Smallest sales unit | 1   |
| Unit of quantity    | Piece                                       |
| Weight              | 135 kg                                      |
| Weight unit         | kg/100 pc.                                  |

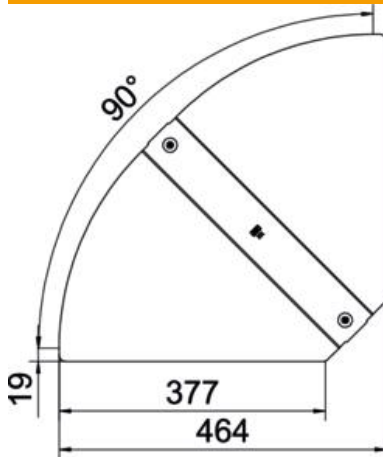
# Technical data sheet

## Cover, angle-adjustable bend DD

Item number: 6037548



### Dimensions



|                 |        |
|-----------------|--------|
| Width           | 400 mm |
| Plate thickness | 1 mm   |

### Technical data

|                                   |            |
|-----------------------------------|------------|
| Bend (angle)                      | Adjustable |
| Number of turn buckles            | 2 St.      |
| Fastening type                    | Sash lock  |
| Maintain electrical functions     | no         |
| Suitable for mesh cable tray      | no         |
| Suitable for cable ladder         | no         |
| Suitable for cable tray           | yes        |
| Change of direction               | Horizontal |
| Rustproof steel, pickled          | no         |
| Hinged                            | no         |
| Permitted temperature range, max. | 120 °C     |
| Permitted temperature range, min. | -20 °C     |