

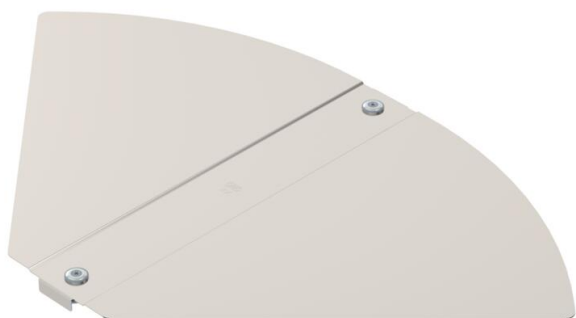
# Technical data sheet

## Cover, angle-adjustable bend A4

Item number: 6037578



Cover for angle-adjustable bend fitting for lockable and screw-on cable trays in indoor and outdoor areas, to protect cables against damage and soiling. Fastening with pre-mounted sash locks and through attachment of the section cover. Suitable for all side heights.



**A4** Stainless steel

**2B** Bright, treated

### Master data

Item number	6037578
Type	RBD W 400 A4
Description 1	Cover
Description 2	for bend, adjustable
Manufacturer	OBO
Dimension	B400mm
Material	Stainless steel
Surface	Bright, treated
Surface standard	
Smallest sales unit	1
Unit of quantity	Piece
Weight	135 kg
Weight unit	kg/100 pc.

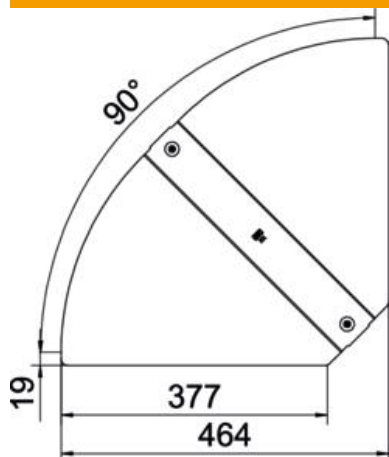
# Technical data sheet

## Cover, angle-adjustable bend A4



Item number: 6037578

### Dimensions



Width	400 mm
Plate thickness	1 mm

### Technical data

Bend (angle)	Adjustable
Number of turn buckles	2 St.
Fastening type	Sash lock
Maintain electrical functions	no
Suitable for mesh cable tray	no
Suitable for cable ladder	no
Suitable for cable tray	yes
Change of direction	Horizontal
Rustproof steel, pickled	no
Hinged	no
Permitted temperature range, max.	120 °C
Permitted temperature range, min.	-20 °C