

Technical data sheet

Aluminium empty housing Mx12, paintable

Item number: 2011386



Robust aluminium empty housing for mechanical engineering and automation technology.

The OBO Mx series' excellent features make it most suitable for extreme demands in all different areas. It is therefore also best suited for applications in industry, ports and shipbuilding, as well as in the agricultural sector.

The series' properties protect the electrical installation when under extreme strain. The products withstand both great cold and heat as well as impacts or kicks on roads, railways or in tunnels.

With a protection rating of up to IP66, they are optimally protected against the intrusion of water. The aluminium is of course UV-resistant and halogen-free. The cover seal is made from polyurethane.

The aluminium housings are chrome 3-coated and are delivered with a cover including stainless steel screws, a seal and 2 or 4 earthing screws.

The chrome 3 surface provides good contact when using metal fittings and can easily be painted or powder-coated.

Temperature: -40°C to +125°C



AIG Cast aluminium

Cr3 Chrome III coating

Master data

Item number	2011386
Type	Mx 120805 CR3
Description 1	Aluminium empty housing
Description 2	surface can be coated
Manufacturer	OBO
Dimension	125x80x57
Material	Cast aluminium
Surface	Chrome III coating
Surface standard	
Smallest sales unit	1
Unit of quantity	Piece
Weight	50 kg
Weight unit	kg/100 pc.

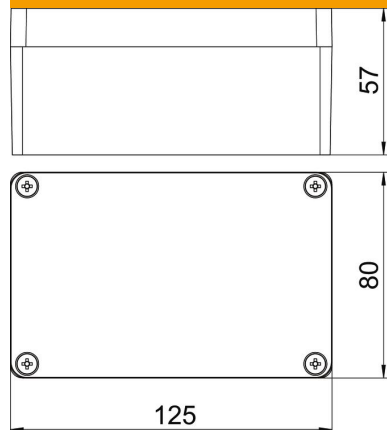
Technical data sheet

Aluminium empty housing Mx12, paintable

Item number: 2011386



Dimensions



Length	125 mm
Width	80 mm
Height	57 mm

Technical data

Extension option	yes
Version, small distributor cover	Closed
Cover fastening	Screwed
Shape	Rectangular
Suitable for outdoor use	yes
Suitable for lightning protection	no
Clear internal dimensions	115,5x70,5x51 mm
with lid	yes
With mounting plate	no
Protection rating	IP66
Permitted temperature range, max.	125 °C
Permitted temperature range, min.	-40 °C
Weatherproof	yes