

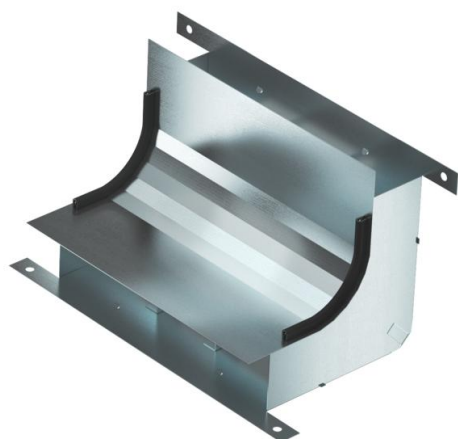
# Technical data sheet

Vertical bend, three-compartment, height 58 mm

Item number: 7400655



Vertical bend, two-compartment, for vertical direction changes of screed-covered underfloor ducts (wall connections, supplies). Only compatible with the UZD250-4/350-4



**St** Steel

**FS** Strip galvanized

## Master data

Item number	7400655
Type	KV3 25058-2
Description 1	Vertical bend
Description 2	3 compartments for EÜK-2
Manufacturer	OBO
Dimension	330x177,7x177,7
Material	Steel
Surface	Strip galvanized
Surface standard	DIN EN 10346
Smallest sales unit	1
Unit of quantity	Piece
Weight	111.24 kg
Weight unit	kg/100 pc.

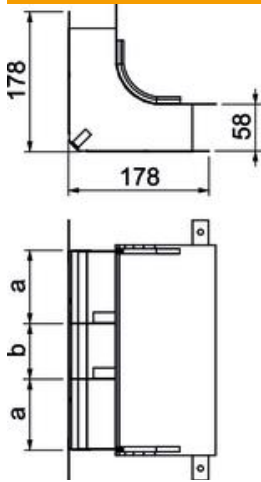
# Technical data sheet

Vertical bend, three-compartment, height 58 mm

Item number: 7400655



## Dimensions



Length	178 mm
Width	250 mm
Height	58 mm
Dimension a	90 mm
Dimension b	70 mm
Dimension h	58 mm

## Technical data

Number of fixed partitions	2
Number of compartments	3 St.
Suitable for screed-flush closed underfloor ducts	no
Suitable for screed-covered underfloor ducts	yes
Trunking width, min.	250 mm
Duct height, min.	58 mm
Cross-section, draw a	4670 mm <sup>2</sup>
Cross-section, draw b	3884 mm <sup>2</sup>