

Technical data sheet

HW Cavity wall device box 47, double

Item number: 2003822



Double cavity wall device box for use in cavity walls with an installation depth of at least 47 mm and a plate thickness of 5 - 40 mm.

- 6 screw domes
- Device screws, clamping straps
- 4 combination pipe entries of Ø 20 and 25 mm
- 4 entries for NYM cables 3 x 1.5 mm
- 2 entries for NYM cables 3 x 2.5 mm² or 5 x 1.5 mm²
- 2 entries for NYM cables 5 x 2.5 mm² or 7 x 1.5 mm²
- Connection with other device boxes via connector, type ZH 11-V
Tested according to DIN EN 60670-1, DIN EN 60670-22 and DIN 49073-1.



PP Polypropylene

Master data

Item number	2003822
Type	HG 47-DV
Description 1	HW Cavity wall device box
Description 2	double combination
Available from	01.10.2021
Manufacturer	OBO
Dimension	142x71
Colour	Orange
Material	Polypropylene
Smallest sales unit	10
Unit of quantity	Piece
Weight	4.23 kg
Weight unit	kg/100 pc.

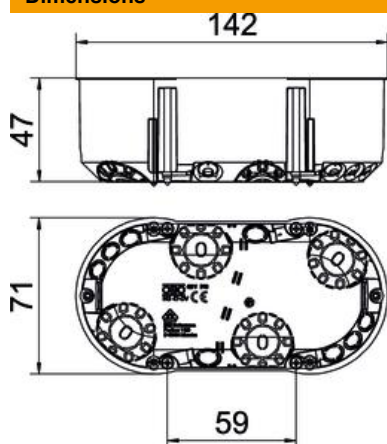
Technical data sheet

HW Cavity wall device box 47, double

Item number: 2003822



Dimensions



Length	142 mm
Width	71 mm
Height	47 mm

Technical data

No. of entries	12
Number of switch boxes	2
Type of insertion...	NYM cables, data cables and pipes
Type of housing penetration	Break-out opening
Version for	Double
Type	Accessory socket
Device fixing	Screws ,
Cover	Without
Cover fastening	Screws ,
Flame-resistant	Acc. to VDE 0471/IEC 60695-2-11, test temperature 850°C
Shape	Oval
Milling hole diameter	68 mm
for pipe diameter	20/25 mm
Suitable for plate thickness, max.	40 mm
Suitable for plate thickness, min.	5 mm
Halogen-free	yes
With bolts	yes
Nominal cross-section, max.	2.5 mm ²
Nominal cross-section, min.	1.5 mm ²
Impact-resistant	yes
Protection rating	IP30
Support	Connector
Airtight	no
Rated voltage	400 V