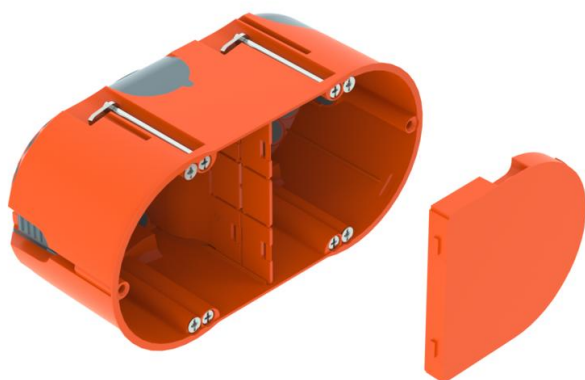


Technical data sheet

HW Cavity wall electronic box 61, airtight

Item number: 2003826



Cavity wall electronic box with membrane entries, cover and partition, for use in cavity walls with an installation depth of at least 61 mm and a plate thickness of 5–40 mm.

- 6 screw domes
- Device screws, clamping straps
- 4 combination pipe entries of Ø 20 and 25 mm
- 4 entries for NYM cables 3 x 1.5 mm²
- 2 entries for NYM cables 3 x 2.5 mm² or 5 x 1.5 mm²
- 2 entries for NYM cables 5 x 2.5 mm² or 7 x 1.5 mm²
- Airtight connection with other device boxes via connector, type ZH 11-V
Tested according to DIN EN 60670-1, DIN EN 60670-22 and DIN 49073-1.



PP/TPE Polypropylen / Thermoplastisches Elastomer

Master data

Item number	2003826
Type	HE 61-DV-L
Description 1	HW Cavity wall electronic box
Description 2	double combination, airtight
Available from	01.10.2021
Manufacturer	OBO
Dimension	142x71
Colour	orange / grey
Material	Polypropylen / Thermoplastisches Elastomer
Smallest sales unit	10
Unit of quantity	Piece
Weight	6.19 kg
Weight unit	kg/100 pc.

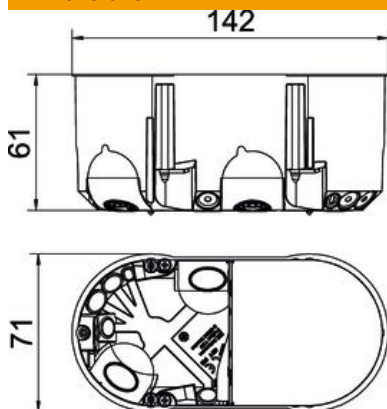
Technical data sheet

HW Cavity wall electronic box 61, airtight

Item number: 2003826



Dimensions



Length	142 mm
Width	71 mm
Height	61 mm

Technical data

No. of entries	14
Number of switch boxes	2
Type of housing penetration	Insertion membrane
Version for	Double
Type	Device connection box
Device fixing	Screws
Cover	Orange
Cover fastening	Locking
Flame-resistant	Acc. to VDE 0471/IEC 60695-2-11, test temperature 850°C
Shape	Oval
Milling hole diameter	68 mm
for pipe diameter	20/25 mm
Suitable for plate thickness, max.	40 mm
Suitable for plate thickness, min.	5 mm
Accessory screw clearance	61 mm
Halogen-free	yes
Combination entries Ø 20 / 25 mm	4
Cable entries 3 x 1.5 mm ²	4
Cable entries 3 x 2.5 mm ² / 5 x 1.5 mm ²	2
Cable entries 5 x 2.5 mm ² / 7 x 1.5 mm ²	2
Cable entries for low voltages	2
With bolts	yes
Mounting type	Cavity wall
Nominal cross-section, max.	2.5 mm ²
Nominal cross-section, min.	1.5 mm ²
Impact-resistant	yes
Protection rating	IP30
Support	Connector
Airtight	yes
Rated voltage	400 V