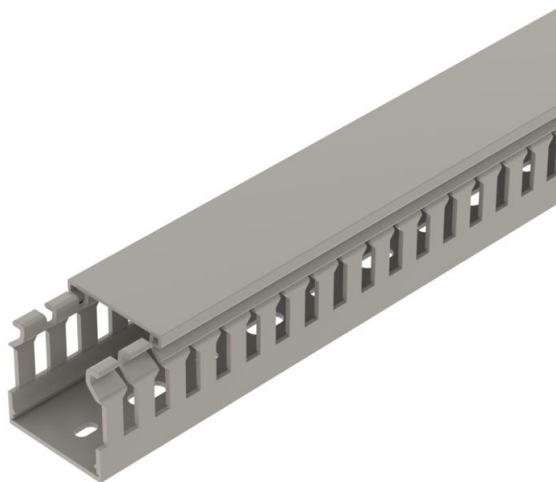


# Technical data sheet

## Wiring trunking, type CABLIX 4040 S

Item number: 6132624



Wiring trunking, incl. cover and base perforation, for horizontal and vertical routing of electrical cables in the switchgear cabinet. Retainers are broken out without tools. Special lengths on request.  
Tested to DIN EN 50085-2-3.  
Base and cover in set.



**PVC** Polyvinylchloride

### Master data

Item number	6132624
Type	CABLIX 4040 S
Description 1	Slotted cable trunking system
Description 2	CABLIX Set 40x40 7030
Manufacturer	OBO
Colour	Stone grey; RAL 7030
Material	Polyvinylchloride
Smallest sales unit	2
Unit of quantity	Metre
Weight	32.5 kg
Weight unit	kg/100 m

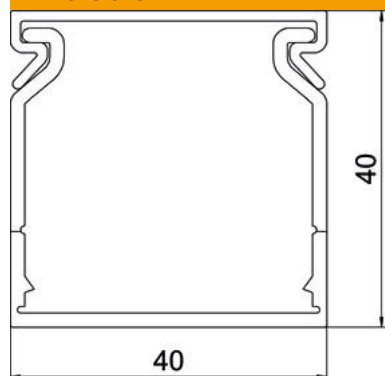
# Technical data sheet

## Wiring trunking, type CABLIX 4040 S

Item number: 6132624



### Dimensions



Length	2,000 mm
Width	40 mm
Height	40 mm

### Technical data

Side wall version	Slotted
Fastening type	Base perforation
Flexible	no
Halogen-free	no
Creepage current-resistant	yes
With cover	yes
Usable cross-section	12.4 cm <sup>2</sup>
Slot spacing	6.5 mm
Slot width	6 mm
Self-extinguishing	yes
Permitted temperature range, max.	60 °C
Permitted temperature range, min.	-5 °C