

# Technical data sheet

## Clamp clip 2056 W-foot, 1-fold, plastic pressure sleeve, A2

Item number: 1187856



Clamp clip with W-foot, plastic pressure sleeve made of polypropylene. For vertical and horizontal mounting of 1 single cable on angle irons < 40 mm. With 1-start screw thread on pressure sleeve, universal hexagonal screw head WAF10, with slot and cross recess. Suitable for assembly indoors and outdoors. We recommend the use of a counter-sleeve.



**A2** Stainless steel

**2B** Bright, treated

### Master data

Item number	1187856
Type	BS-W1-K-64 A2
Description 1	Clamp clip 2056
Manufacturer	OBO
Dimension	58-64mm
Material	Stainless steel
Surface	Bright, treated
Surface standard	
Smallest sales unit	50
Unit of quantity	Piece
Weight	14.97 kg
Weight unit	kg/100 pc.

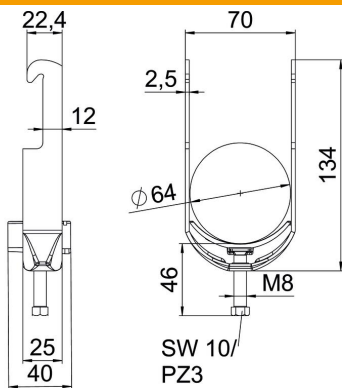
# Technical data sheet

Clamp clip 2056 W-foot, 1-fold, plastic pressure sleeve, A2



Item number: 1187856

## Dimensions



Length	25 mm
Width	70 mm
Height	134 mm
Plate thickness	2.5 mm
Dimension A	25 mm
Dimension B	70 mm
Dimension C	40 mm
Dimension G (mm)	M8
Dimension H	134 mm
Dimension L	45 mm
Dimension t	2.5 mm

## Technical data

Number of cables/pipes	1
For pipe diameter, max.	64 mm
For pipe diameter, min.	58 mm
Thread	M8
Halogen-free	yes
Length of external dimensions	40 mm
Max. Tightening torque	5 Nm
With plastic trough	yes
Mounting type	Angle profile
Slot width	10 mm
Clamping range D, max.	64 mm
Clamping range D, min.	58 mm
Surface addition	Untreated
Material addition	Rustproof steel
With counter-trough	no
Material of trough	Plastic
Material quality of trough	Polypropylene