

# Technical data sheet

Clamp clip 2056 W-foot, 1-fold, plastic pressure sleeve, Al

Item number: 1187902



Clamp clip with W-foot, plastic pressure sleeve made of polypropylene. For vertical and horizontal mounting of 1 single cable on angle irons < 40 mm. With 1-start screw thread on pressure sleeve, universal hexagonal screw head WAF10, with slot and cross recess. Suitable for assembly indoors and outdoors. We recommend the use of a counter-sleeve.



**Alu** Aluminium

## Master data

Item number	1187902
Type	BS-W1-K-12 ALU
Description 1	Clamp clip 2056
Manufacturer	OBO
Dimension	08-12mm
Material	Aluminium
Smallest sales unit	100
Unit of quantity	Piece
Weight	1.492 kg
Weight unit	kg/100 pc.

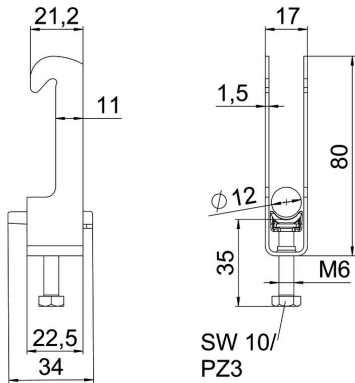
# Technical data sheet

Clamp clip 2056 W-foot, 1-fold, plastic pressure sleeve, Al



Item number: 1187902

## Dimensions



Length	22.5 mm
Width	17 mm
Height	80 mm
Plate thickness	1.5 mm
Dimension A	22.5 mm
Dimension B	17 mm
Dimension C	34 mm
Dimension G (mm)	M6
Dimension H	80 mm
Dimension L	35 mm
Dimension t	1.5 mm

## Technical data

Number of cables/pipes	1
For pipe diameter, max.	12 mm
For pipe diameter, min.	8 mm
Thread	M6
Halogen-free	yes
Length of external dimensions	34 mm
Max. Tightening torque	3 Nm
With plastic trough	yes
Mounting type	Angle profile
Slot width	10 mm
Clamping range D, max.	12 mm
Clamping range D, min.	8 mm
Surface addition	Untreated
Material addition	Aluminium
With counter-trough	no
Material of trough	Plastic
Material quality of trough	Polypropylene