

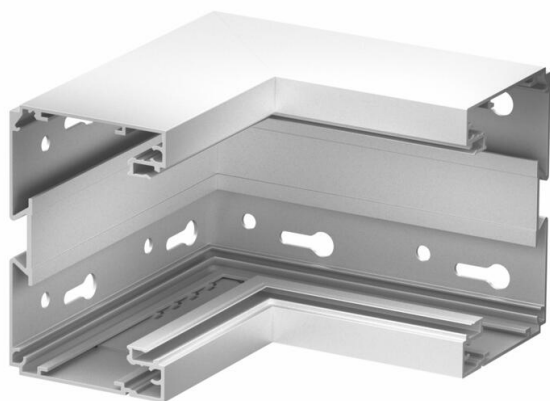
Technical data sheet

Internal corner BRA IE 70110

Item number: 6133276



Internal corner as a fitting for changing the direction of the Signa Style device installation trunking.
Cut-concealing.



Alu Aluminium

EL Anodised

Master data

Item number	6133276
Type	BRA IE70110 EL
Description 1	Internal corner
Description 2	SIGNA STYLE 70x110 anodised
Manufacturer	OBO
Dimension	70x110x155
Material	Aluminium
Surface	Anodised
Surface standard	
Smallest sales unit	1
Unit of quantity	Piece
Weight	56.8 kg
Weight unit	kg/100 pc.

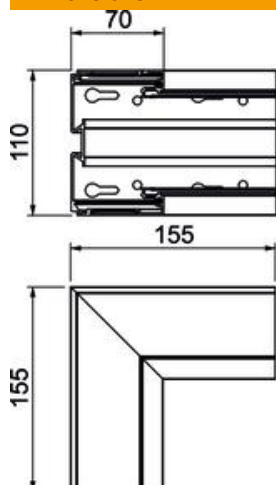
Technical data sheet

Internal corner BRA IE 70110

Item number: 6133276



Dimensions



Length	155 mm
Width	110 mm
Height	70 mm

Technical data

Number of covers	1
Version for	Base
Shape	Asymmetrical
Halogen-free	yes
Cable retaining clip	no
Duct connector	no
Cover mounting type	Internal
Mounting perforation in base	yes
Cover width	80 mm
Protection rating	IP30
Protective film	yes
Protection rating IK code	IK07
Permitted temperature range, max.	60 °C
Permitted temperature range, min.	-5 °C
Angle range, min.	90 mm