

# Technical data sheet

## Spacer for flat conductor, with wood screw

Item number: 5030234



- Fit: FL 30 and FL 40
- With 2 cylinder bolts M5 x 12 (G) and over-piece
- With wood screw

**St** Steel

**G** Electrogalvanized

### Master data

Item number	5030234
Type	708 30 HG
Description 1	Spacer
Description 2	w. thread for ground conductor
Manufacturer	OBO
Dimension	30mm
Material	Steel
Surface	Electrogalvanized
Surface standard	EN ISO 19598 / EN ISO 4042
Smallest sales unit	50
Unit of quantity	Piece
Weight	2.536 kg
Weight unit	kg/100 pc.

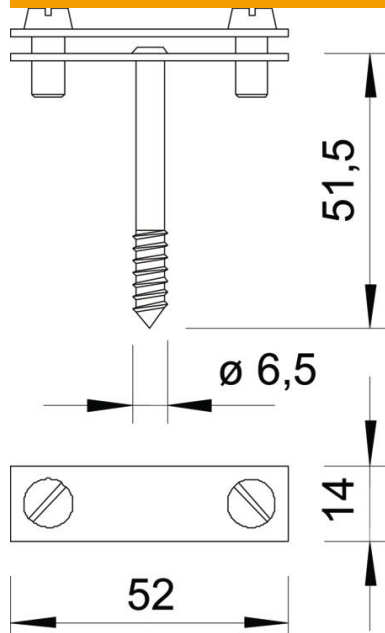
# Technical data sheet

Spacer for flat conductor, with wood screw

Item number: 5030234



## Dimensions



Dimension B | 52 mm

## Technical data

Fit	max. FL30 mm
Intermediate plate	no